

# Creo® Flexible Modeling

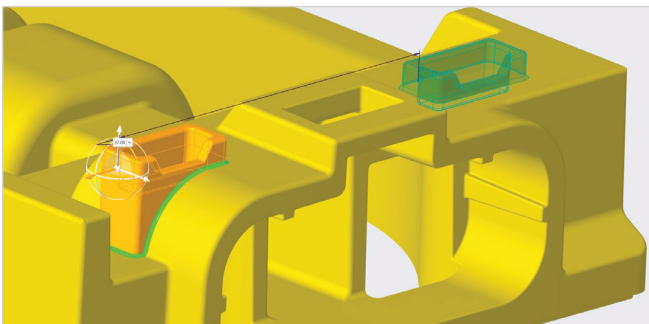
Fast Flexible 3D Direct Editing. Never again fear late-stage design changes.

The flexible modeling capability in Creo Parametric allows for direct modeling in a parametric environment. It's simple. You don't have to reconstruct design intent or know how the model was built. Just click and use the drag-handle, or enter a new numeric value. That's it.

Whether you're facing a sudden design change or, struggling with a legacy CAD model for which design intent is unclear, flexible modeling enables you to get the job done. Even better, this signature capability extends to sheetmetal.

## Key benefits

- Preserve original design intent and capture edits as features that can be modified
- Make late-stage changes easily
- Work more efficiently in a multi-CAD environment by easily incorporating and editing data from other CAD systems. Add parametric design intent to imported data
- Streamline CAE workflows. Simplify or edit geometries to prepare the 3D CAD models for design optimization studies and downstream simulation.

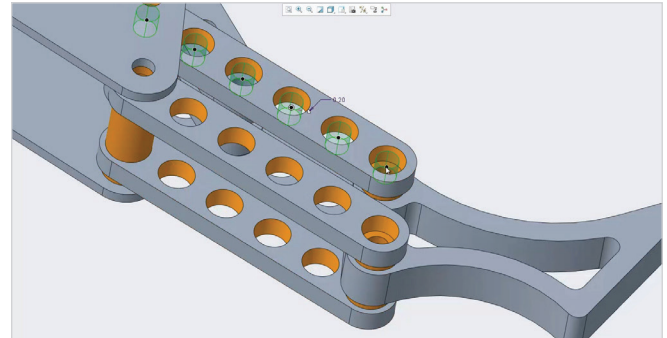


Flexible modeling helps you quickly edit geometry to your desired position by pushing and pulling the 3D Dragger

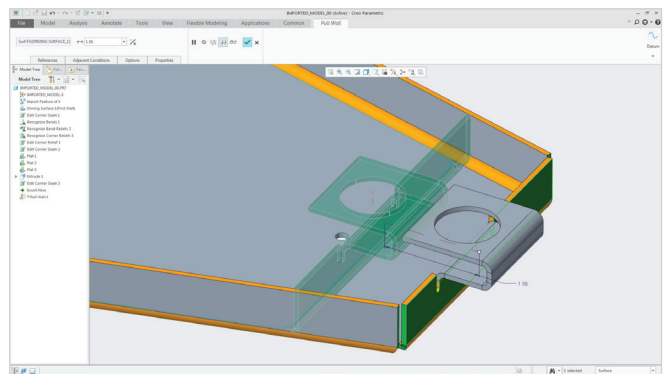
## Capabilities and specifications

- Advanced selection capabilities
  - Shape based selection
  - Geometry rule based selection
  - Advanced geometry search queries with the ability to store the query for future reuse
- Geometry editing
  - The 3D Dragger tool allows you to “push-pull” your geometry to the desired position
  - Work with an assembly-style workflow
  - Constrain your selected geometry to any position in the model
  - Assembly constraints are remembered and solved at regeneration time
  - Tools to: Move, Offset, Substitute, Edit Round, Attach and Modify analytic shapes like cylinders, spheres, tori, and cones
  - Ability to remove geometry

- Sheetmetal editing
  - Improve efficiency and save design time by avoiding re-design efforts on native or imported sheet metal parts
  - Quickly change design intent characteristics individually or globally
  - Edit bends, corner reliefs, bend reliefs and seams and pull walls
- Precise control
  - Automated control over how attachment, round, chamfer, and solution topology is executed
- Geometry recognition
  - Supports pattern recognition and editing
  - Change the number of instances and spacing of the pattern
  - Supports symmetry recognition and editing



Flexible modeling helps you quickly edit geometry to your desired position by pushing and pulling the 3D Dragger



Recognize patterns of geometry in imported parts and propagate geometric changes to the pattern members

### The Creo Advantage

Creo is a 3D CAD solution that helps you build better products faster by accelerating product innovation, reusing the best of your design and replacing assumptions with facts. Go from the earliest phases of product design to a smart, connected product with Creo. And with augmented reality in each seat of Creo, everyone can easily visualize your designs. In the fast-changing world of the Industrial IoT, no other company can get you to substantial value as quickly and effectively as PTC.

Please visit the [PTC Support page](#) for the most up-to-date platform support and system requirements.

© 2018, PTC Inc. (PTC). All rights reserved. Information described herein is furnished for informational use only, is subject to change without notice, and should not be taken as a guarantee, commitment, or offer by PTC. PTC, the PTC logo, and all PTC product names and logos are trademarks or registered trademarks of PTC and/or its subsidiaries in the United States and other countries. All other product or company names are property of their respective owners. The timing of any product release, including any features or functionality, is subject to change at PTC's discretion.

J10475-CreoFlexibleModeling-EN-1217